

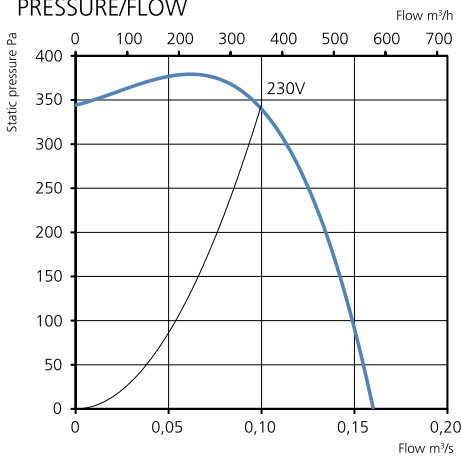
RFE 140 D

KU 7720254, UU 7720253, KR 7720256

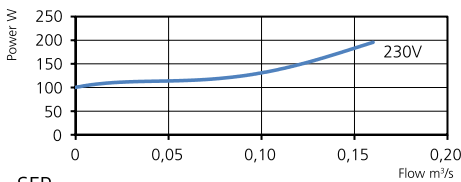


- Single-phase single inlet radial fan.
- Compact with high capacity and efficiency.
- Low sound levels.
- Impeller with forward curved blades.
- The external rotor motor has maintenance-free sealed ball-bearings.
- The motor is situated in the airstream to get ultimate cooling.
- Integrated motor protection.
- Junction box has enclosure class IP 54.
- For speed control a transformer or electronic speed controller can be connected.
- Fan housing is manufactured from galvanized sheet steel.
- Ideal for use in heat exchangers, dehumidifiers and air cleaners.
- Explanations:
KR = With junction box, with connection pipes.
KU = With junction box, without connection pipes.
UU = Without junction box, without connection pipes.
- All diagrams shown with duct connected fan.

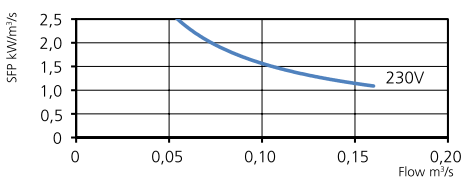
PRESSURE/FLOW



POWER/FLOW



SFP



TECHNICAL DATA

Voltage	230 V
Frequency	50 Hz
Phase	1 ~
Current	0.86 A
Power	198 W
Speed	1800 r.p.m.
Max. temp of transported air	60 °C
Sound pressure level, 3 m	45 dB(A)
Weight	3.4 kg
Enclosure class	44 IP
Wiring diagram	4040001

ACCESSORIES

- Mounting clamp MK 160
- Safety grille BSV 160
- Safety grille BSR 160
- Back draught shutter RSK 160
- Louvre YG 160
- Silencer LDC 160
- Transformer controller VRTE C
- Transformer controller VRDE 1.5
- Speed controller VRS 1.0

SOUND DATA

	L_{wa} tot dB (A)	63	125	250	500	1K	2K	4K	8K
Surrounding 230 V	52	22	35	45	43	46	46	44	40
Outlet 230 V	78	62	68	73	71	69	68	68	69
Inlet 230 V	75	56	68	70	69	63	66	65	63

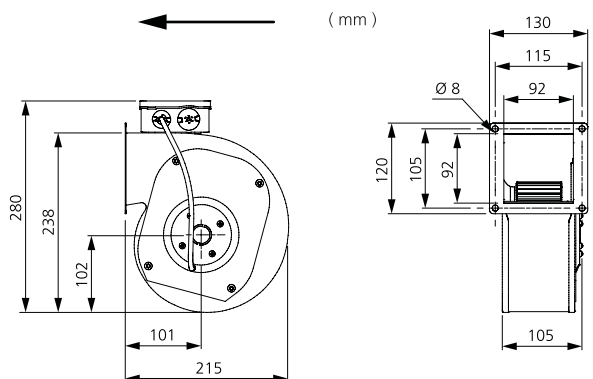
MORE INFORMATION



Find out the latest updated information about this product by visiting www.ostberg.com or scanning this QR code.

DIMENSIONS

KU



KR

