

## C2 Air handling unit



Air handling unit for ceiling installation in apartments and smaller single-family houses.

700030, 700031, 700032, 700033

- Temperature efficiency in the heat recovery system up to 85%.
- Specific fan power (SFP) in the ventilation system lower than 1.5.
- Can be placed under the ceiling, in the loft, on a wall or horizontally on its back.
- The low weight and height simplify installation and positioning.
- Extremely quiet.
- Simple to operate, change filters and maintain.
- Provides balanced ventilation with an extremely good indoor climate.
- Option of communication by Modbus.
- Modern design.
- Efficient and reliable – even in the cold.

	GTIN	Model
700030	7023677000305	C2 RER Right model with electric element
700031	7023677000312	C2 REL Left model with electric element
700032	7023677000329	C2 R R Right model without electric element
700033	7023677000336	C2 R L Left model without electric element

**Technical data**

	C2 R with electric battery	C2 R without electric battery
Rated voltage	1 x 230 V	1 x 230 V
Fuse size	1 x 10 A	1 x 10 A
Rated current, total	3,0 A	1,5 A
Rated power, total	670 W	170 W
Rated power, electric battery	500 W	-
Total rated output fan	85 W	85 W
Fan type	B-wheel	B-wheel
Fan motor control	0-10 V	0-10 V
Fan speed, max. rpm	4 050	4 050
Automatic control standard	CU 60	CU 60
Filter class	ePM1 55% (F7)	ePM1 55% (F7)
Filter dimensions (BxHxD)	293x226x48 mm	293x226x48 mm
Weight	46 kg	46 kg
Duct connection	Ø125 mm	Ø125 mm
Height *	525 mm	525 mm
Width *	900 mm	900 mm
Depth *	350 mm	350 mm
Colour	White	White
RAL	9016	9016
Gloss	25-35	25-35

Energy class:



CTRL 0,65

**LOCAL DEMAND CONTROL**

Sensor control for different zones

**Accessories:** Advanced panel +

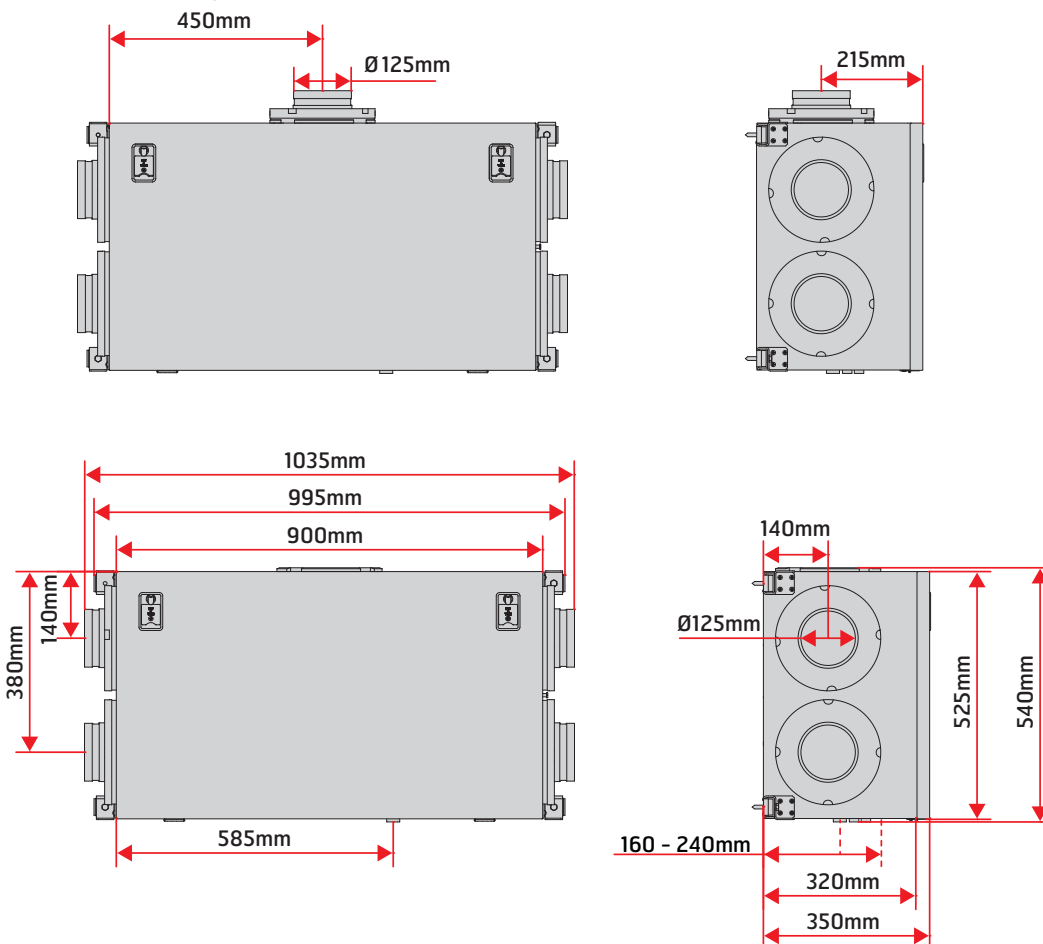
CO<sub>2</sub>-sensor/motion sensor + damper

**Result:** Increased air flow rate in zones that need it

[www.flexit.com](http://www.flexit.com)

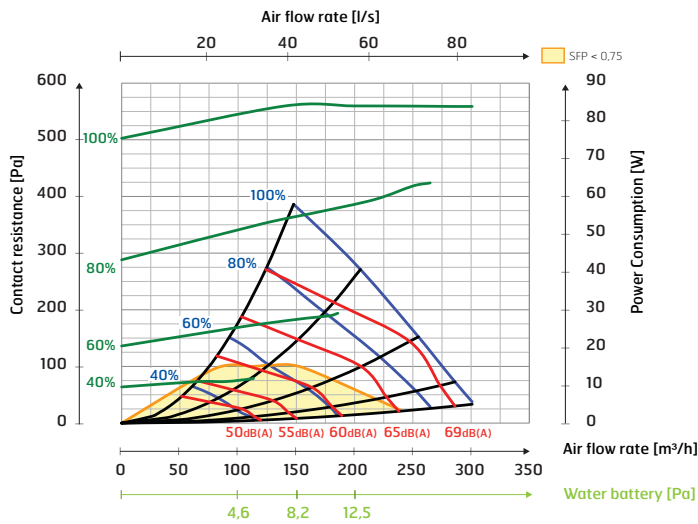
\*See dimensioned drawing for dimensions, including fixing brackets.

**Dimensioned drawing**

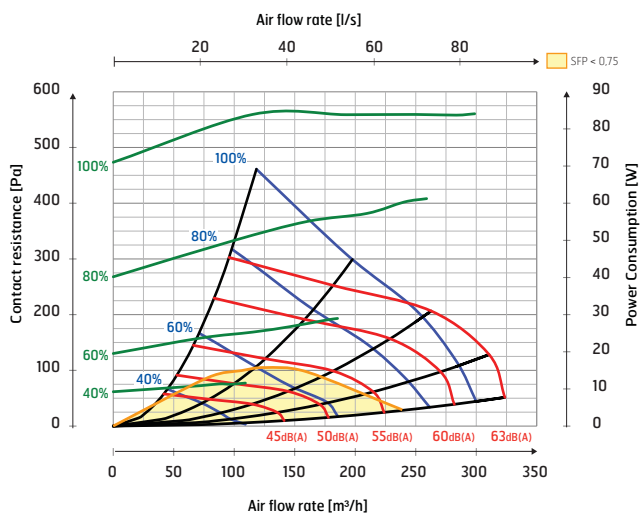


## Capacity and sound data

### Supply air side



### Extract air side



### Correction factor for Lw

Hz	63 Lw(dB)	125 Lw(dB)	250 Lw(dB)	500 Lw(dB)	1000 Lw(dB)	2000 Lw(dB)	4000 Lw(dB)	8000 Lw(dB)	LwA (dBA)
Supply air	4	4	4	-2	-9	-11	-17	-24	
Extract air	11	7	5	-4	-11	-18	-25	-30	
Radiated 1	-9	-17	-18	-31	-34	-33	-34	-38	-24
Radiated 2	-7	-9	-8	-27	-28	-29	-31	-35	-16

Working point 110 m<sup>3</sup>/h against 100 Pa.

### Explanation of diagram

Sound data is stated as the sound output level LwA in the capacity diagrams (these are for sound to the duct).

These values can be corrected by means of the table for the different octave bands if it is wished to look at Lw (without adaptation to A band).

The correction table for the various octaves is stated in Lw, which means that the Lw values are after conversion of each octave for supply air and extract air.

Radiated sound from the unit must be calculated from the supply air diagram.

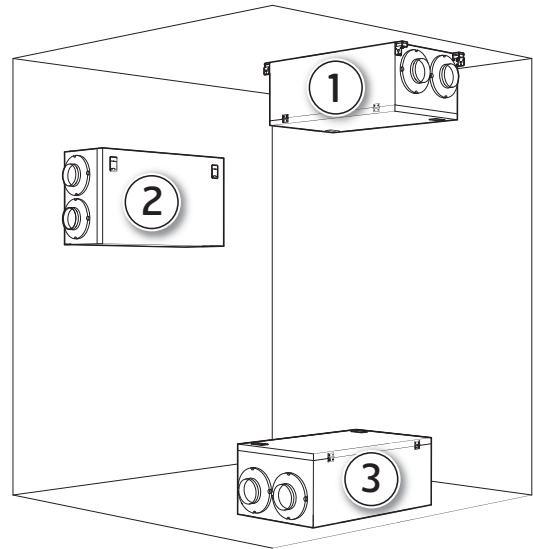
## Position

The unit can be installed in the following ways:

1. On the ceiling.
2. Horizontally on a wall.  
Mounting devices for this can be purchased as an accessory.
3. On the floor (lying on its back).  
In this case absorption feet are recommended (available as an accessory).

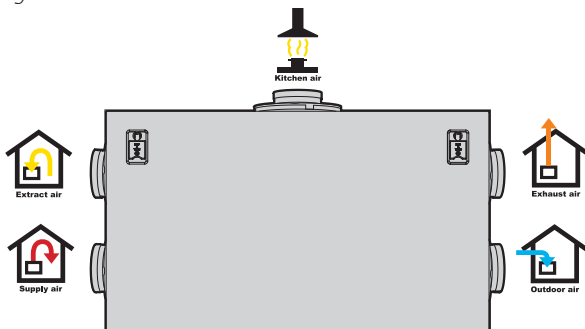
The unit is available in both left and right versions, depending on what best matches the duct location.

They can be located in a cold zone such as the loft.

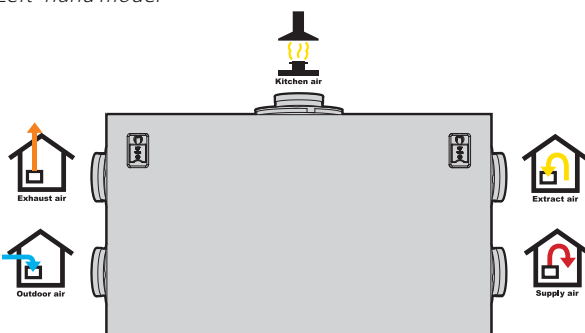


## Duct location

*Right-hand model*



*Left-hand model*



For more information on topics including installation, wiring diagrams and accessories, see , see [www.flexit.com](http://www.flexit.com)

## Flexit AS

Tlf +46 69 81 00 00

post@flexit.no [www.flexit.com](http://www.flexit.com)

*Our products are subject to continuous development and we therefore reserve the right to make changes. We also disclaim liability for any printing errors that may occur.*